



**XFM40-01**

**XSFM40-02**

### 特點 Features

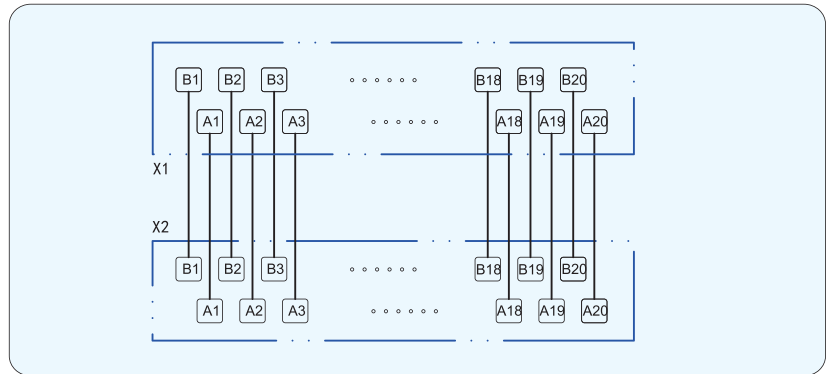
- 40芯FCN連接器轉接模組
  - 節省配綫空間，時間和成本
  - 方便查修和維護
  - 適用各種品牌伺服PLC模組FCN接口轉接
  - 歐規(-01)和日規(-02)端子台可供選用
  - 提供40芯自由長度FCN連接綫
- 40 poles FCN TB converter
  - Save wiring space, time and cost
  - Easy for inspection and maintenance
  - Applicable for Servo drives PLC with FCN interface
  - Choice of Cage-clamp(-01) or Barrier(-02) Type T/B
  - Customized FCN cable assembly are welcomed.

### 技術參數 Technical Data

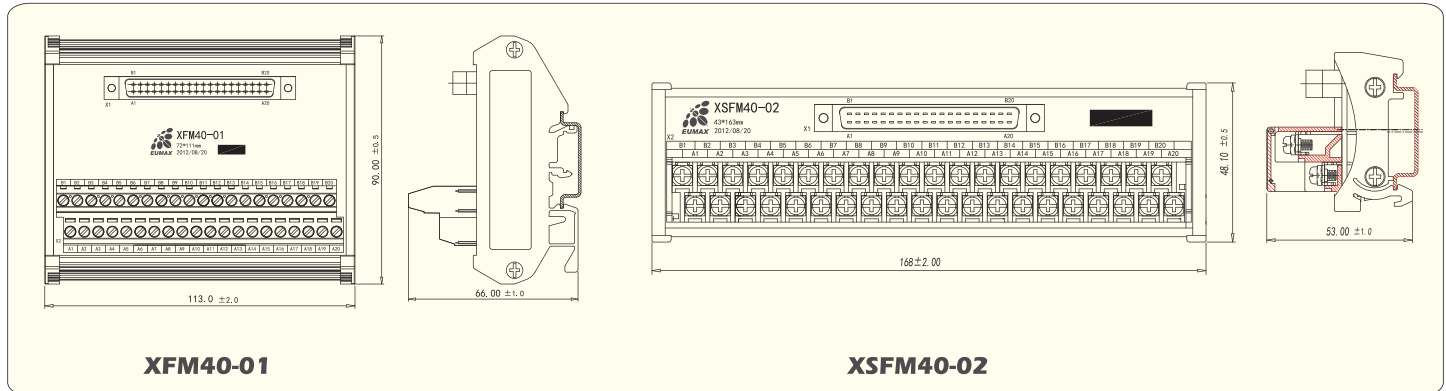
額定電流/電壓 Rated Current/Voltage	1A/125VAC
耐電壓 Withstand Voltage	AC 500V 1 min
絕緣阻抗 Insulation Resistance	500M.Ω/DC 500V
使用溫度 Operating Temperature	-20°C ~ +80°C
使用綫徑 Wire Gauge	26 ~ 16AWG
最大鎖緊扭力 Torque Maximum	0.5 Nm(-01), 0.8 Nm(-02)

型號 P/N	長度L*寬度W*高度H mm
<b>XFM40-01</b>	113*90*66
<b>XSFM40-02</b>	168*48.1*53

### 配綫圖 Wiring Diagram



### 外觀尺寸 Dimension

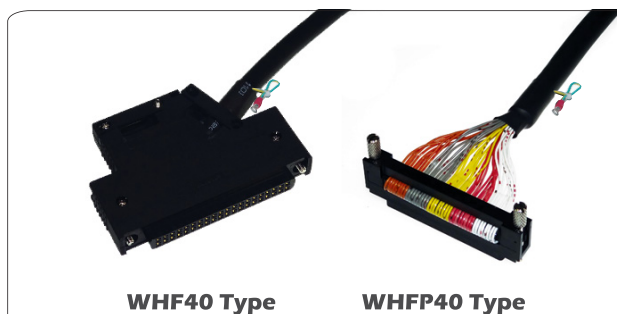


**XFM40-01**

**XSFM40-02**

### FCN連接綫 Cable Assembly

□□: Number of Contacts    △△: Length(M)



**WHF40 Type**

**WHFP40 Type**

型號 P/N	Connector	Termination	Hood
<b>WHF40/△△</b>	1473381-1	Soldering	Plastic
<b>WHFP40/△△</b>	1903404-1	IDC	-