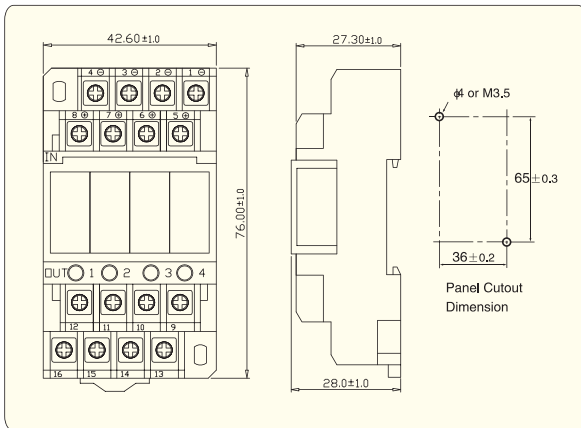


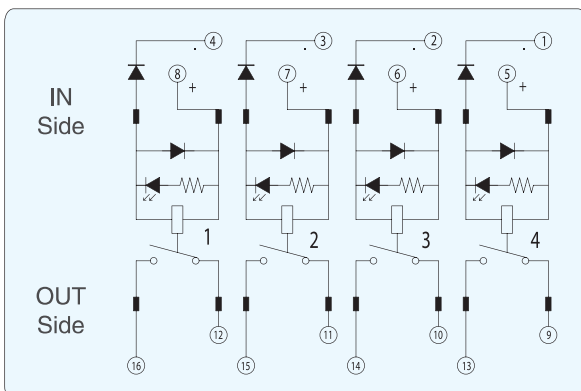
技術參數 Technical Data

繼電器規格 Relay Specification	1a/6A/24VDC
耐電壓 Withstand Voltage	1000VAC 50/60Hz(1mintue)
絕緣阻抗 Insulation Resistance	500M Ω/DC500V
使用溫度 Operating Temperature	-20°C ~ +50°C
使用綫徑 Wire Gauge	26 ~ 16AWG
綫圈電壓 Coil Voltage	24VDC
綫圈功耗 Coil Power	200mW
負載電壓 Load Voltage	30VDC/250VAC
負載電流 Load Current	6A
最大鎖緊扭力 Torque Maximum	0.8 Nm

外觀尺寸 Dimension



配綫圖 Wiring Diagram



特點 Features

- 包含4組獨立繼電器回路的繼電器模組
- 適用於NPN、PNP型控制器
- 繼電器採用1 N/O 接點形式
- 節省配綫空間，時間和成本
- 方便查修和維護
- 適用於通用型PLC和數控系統
- 4 independent relay circuit units
- Suitable for NPN, PNP controller
- 1 N/O contact relay
- Save wiring space, time and cost
- Easy for inspection and maintenance
- Applicable for PLC and CNC system

接綫方式 Wiring Method

- 接綫前請確定電源是處於“關斷”狀態，避免觸電
- 控制信號為NPN型信號時，控制信號接IN側的1、2、3、4腳，IN側的5、6、7、8腳接DC24V
- 控制信號為PNP型信號時，控制信號接IN側的5、6、7、8腳，IN側1、2、3、4腳接0V
- Be sure to turn OFF the power before wiring;
- NPN type, please connect signals to No. 1, 2, 3, 4 at IN-side and wire No. 5, 6, 7, 8 at IN-side to DC24V.
- PNP type, please connect signals to No. 5, 6, 7, 8 at IN-side and wire No. 1, 2, 3, 4 at IN-side to 0V.

注意事項 Precautions

- 綫圈適用電壓為DC24V，請勿使用在DC24V以外的其他電壓場合，若有特殊需求請與本公司聯絡
- 使用之前請保持表面清潔
- 使用之前請確認輸出接點容量及負載電壓電流，請勿超出其範圍
- Suitable coil voltage is DC24V, not for any other than DC24V occasion, please contact us if you have special needs
- Please keep the surface clean before use
- Please confirm the output contact capacity, load voltage and load current are in the suitable range before use

安裝方式 Mounting Type

安裝方式為軌道安裝，適用軌道為TS-35
DIN Rail mounting type, suitable for TS-35

繼電器型號 Relay P/N

泰科RE繼電器P/N:RE030024，繼電器為消耗部品，若損壞可用同型繼電器替換

Tyco RE relay P/N:RE030024. Relay is consumable parts, please replace with the same spec. relay

選配件 短路片 Optional Accessory Shorting Strip



型號: XRE-4BND-BUS
P/N.: XRE-4BND-BUS